

# Product Specification

## SFP-1G-80KM

### 1.25Gbps 1550nm 80KM SFP Transceiver

#### Product Features

- Up to 1.25Gbps data links
- 80km with 9/125 $\mu$ m SMF
- 1550nm DFB laser
- Duplex LC Connector
- Hot-pluggable SFP footprint
- Single 3.3V power supply
- Operating temperature: Ref.to Ordering Info. ✓ 1.25Gbps 1000Base-ZX
- RoHS ✓ 1/2Gbps Fiber Channel
- Digital Diagnostic Monitor (DDM)



#### Applications

#### 1. Product Description

This is a small form factor pluggable (SFP) transceiver compatible with multi-sourcing agreement (MSA). It is suitable for single-mode fiber (SMF) communications in 1.25Gbps Ethernet and 1G/2G Fiber Channel.

#### 2. Regulatory Compliance

The transceivers are Class 1 Laser Products comply with FDA regulations. Meet Class 1 eye safety requirements of EN 60825 and the electrical safety requirements of EN 60950.

#### 3. Absolute Maximum Ratings

Parameter	Symbol	Min.	Max.	Unit
-----------	--------	------	------	------



## SHENZHEN HANDAR OPTICAL TECHNOLOGY CO.,LTD

Supply Voltage	V <sub>cc</sub>	-0.5	3.6	V
Storage Temperature	T <sub>s</sub>	-40	85	°C
Operating Case Temperature	T <sub>c</sub>	Refer to Ordering Information		

### 4. Recommended Operating Conditions

Parameter	Symbol	Min.	Typical	Max.	Unit
Operating Case Temperature	T <sub>c</sub>	Refer to Ordering Information			
Power Supply Voltage	V <sub>cc</sub>	3.15	3.3	3.45	V
Power Supply Current	I <sub>cc</sub>			300	mA
Data Rate			2.125		GBps
Max Link Length on 9/125μm SMF	L <sub>max</sub>	Refer to Ordering Information			

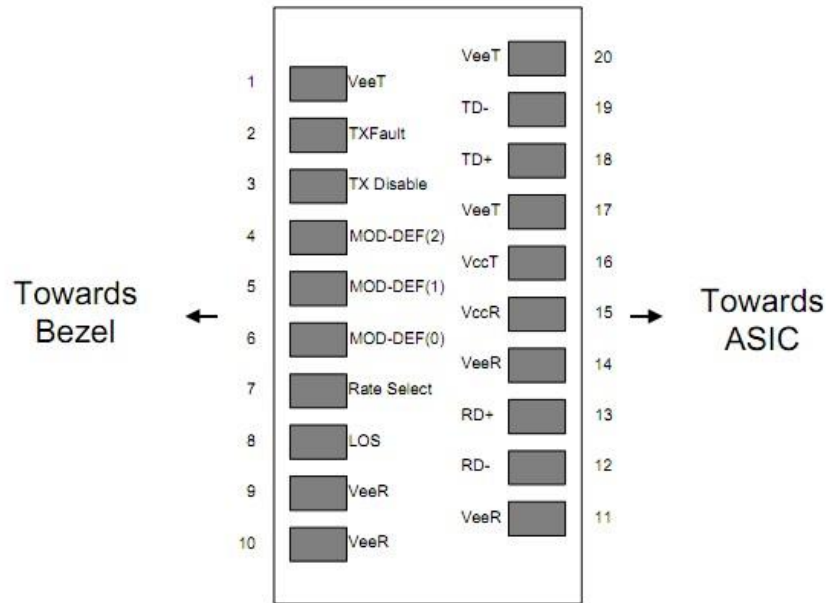
### 5. Optical Characteristics

Parameter	Symbol	Min.	Typical	Max.	Unit
<b>Transmitter</b>					
Centre Wavelength	λ <sub>c</sub>	1500	1550	1570	nm
Spectral Width (RMS)	σ			1	nm
Average Output Power	P <sub>out</sub>	0		5	dBm
Extinction Ratio	EX	9			dB
Optical Rise/Fall Time	tr/tf			1	ns
<b>Receiver</b>					
Centre Wavelength	λ <sub>c</sub>	1200	1310	1600	nm
Receiver Sensitivity	P <sub>IN</sub>			-23	dBm
Receiver Overload	P <sub>max</sub>	1			dBm
LOS De-Assert	LOS <sub>D</sub>			-26	dBm
LOS Assert	LOS <sub>A</sub>	-35			dBm
LOS Hysteresis		0.5		4.5	dB

### 6. Electrical Characteristics

Parameter	Symbol	Min.	Typical	Max.	Unit
<b>Transmitter</b>					
Input Differential Impedance	Zin	90	100	110	Ω
Data Input Swing Differential	Vin	500		2400	mV
Tx-Dis Disable	Vd	2.0		Vcc	V
Tx-Dis Enable	Ven	0		0.8	V
TX-Fault (Fault)		2.0		Vcc+0.3	V
TX-Fault (Normal)		0		0.8	V
<b>Receiver</b>					
Data Output Swing Differential	Vout	370		2000	mV
Rx-Los Fault	Vlf	2.0		Vcc+0.3	V
Rx-Los Normal	Vln	0		0+0.8	V

## 7. Pin Descriptions



**Diagram of Host Board Connector Block Pin Numbers and Names**

Pin	Symbol	Description	Ref.
1	VEET	Transmitter Ground (Common with Receiver Ground)	6.1
2	TFAULT	Transmitter Fault. Not supported.	
3	TDIS	Transmitter Disable. Laser output disabled on high or open.	6.2
4	MOD_DEF(2)	Module Definition 2. Data line for Serial ID.	6.3
5	MOD_DEF(1)	Module Definition 1. Clock line for Serial ID.	6.3
6	MOD_DEF(0)	Module Definition 0. Grounded within the module.	6.3



## SHENZHEN HANDAR OPTICAL TECHNOLOGY CO.,LTD

7	Rate Select	No connection required	
8	LOS	Loss of Signal indication. Logic 0 indicates normal operation.	6.4
9	VEER	Receiver Ground (Common with Transmitter Ground)	6.1
10	VEER	Receiver Ground (Common with Transmitter Ground)	6.1
11	VEER	Receiver Ground (Common with Transmitter Ground)	6.1
12	RD-	Receiver Inverted DATA out. AC Coupled.	
13	RD+	Receiver Non-inverted DATA out. AC Coupled.	
14	VEER	Receiver Ground (Common with Transmitter Ground)	6.1
15	VCCR	Receiver Power Supply	
16	VCCT	Transmitter Power Supply	
17	VEET	Transmitter Ground (Common with Receiver Ground)	6.1
18	TD+	Transmitter Non-Inverted DATA in. AC Coupled.	
19	TD-	Transmitter Inverted DATA in. AC Coupled.	
20	VEET	Transmitter Ground (Common with Receiver Ground)	6.1

### Notes:

6.1 Circuit ground is internally isolated from chassis ground.

6.2 Laser output disabled on TDIS >2.0V or open, enabled on TDIS <0.8V.

6.3 Should be pulled up with 4.7k - 10kohms on host board to a voltage between 2.0V and 3.6V.

MOD\_DEF(0) pulls line low to indicate module is plugged in.

6.4 LOS is open collector output. Should be pulled up with 4.7k -10kohms on host board to a voltage between 2.0V and 3.6V. Logic 0 indicates normal operation; logic 1 indicates loss of signal.

## 8. EEPROM & DDM THRESHOLD

### 8.1 EEPROM

#### 2 wire address 1010000X (A0h)

0~95	Serial ID Defined by SFP MSA (96 bytes)
96~127	Vendor Specific (32 bytes)
128~255	Reserved (128 bytes)

#### EEPROM Serial ID Memory Contents

Add.	Size (Bytes)	Name of Field	Hex	Description
<b>BASE ID FIELDS</b>				
0	1	Identifier	03	SFP
1	1	Ext. Identifier	04	SFP function is defined by serial ID only



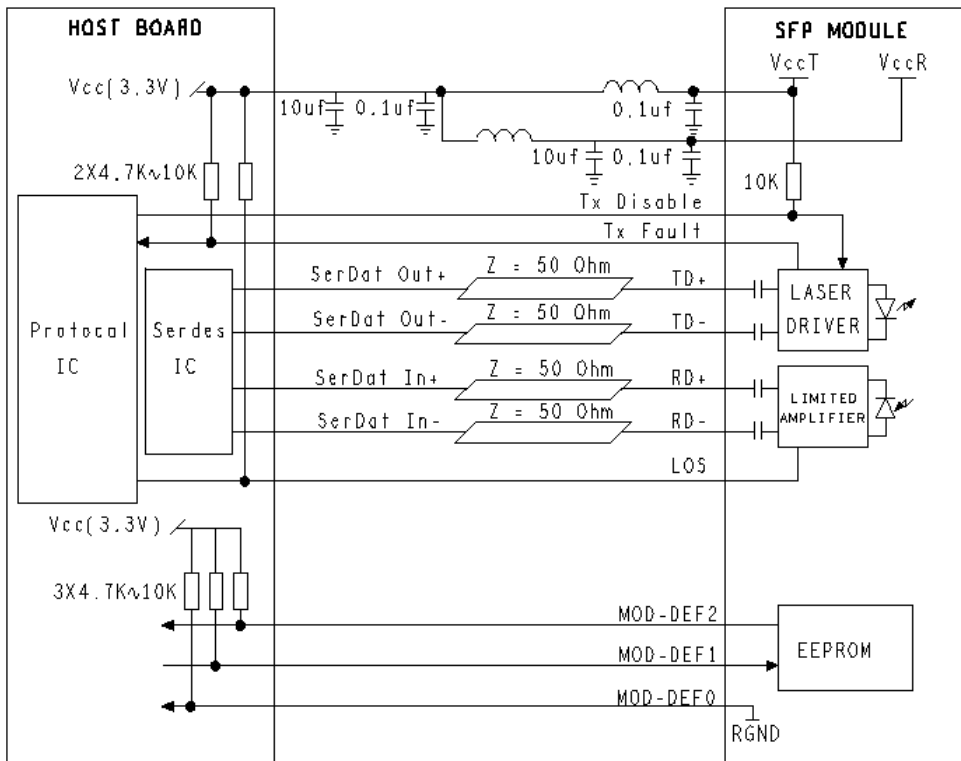
## SHENZHEN HANDAR OPTICAL TECHNOLOGY CO.,LTD

2	1	Connector	07	LC
3-10	8	Transceiver	00 00 00 02 00 00 00 00	Transmitter Code
11	1	Encoding	01	8B/10B
12	1	BR, Nominal	0D	1.25Gbps
13	1	Reserved	00	
14	1	Length (9um) km	28/50	40km/80km
15	1	Length (9um) km	FF	
16	1	OM2 Length (50um) m	00	
17	1	OM1 Length (62.5um) m	00	
18	1	Length (Copper)	00	
19	1	OM3 Length (50um) m	00	
20-35	16	Vendor Name	43 2D 4C 49 47 48 54 20 20 20 20 20 20 20 20 20	* OEM available
36	1	Reserved	00	
37-39	3	Vendor OUI	00 00 00	* OEM available
40-55	16	Vendor PN	xx xx xx xx xx xx xx xx xx xx xx xx xx xx xx xx	* OEM available
56-59	4	Vendor Rev	30 31 20 20	01
60-61	2	Wavelength	06 0E	1550nm
62	1	Reserved	00	
63	1	CC_BASE	xx	Check Code for Base ID Field
<b>EXTENDED ID FIELDS</b>				
64-65	2	Options	00 1A	Loss/ TX_Fault/ TX_Disable
66	1	BR, Max	00	
67	1	BR, Min	00	
68-83	16	Vendor SN	43 4C xx xx xx xx xx xx xx xx xx 20 20 20 20 20	SN of Transceiver (ASCII). Exp. "CLXXXXXXXXXX"
84-91	8	Date Code	xx xx xx xx xx xx 20 20	YY/MM/DD Exp. 120727
92	1	Diagnostic Monitoring	68	
93	1	Enhanced Options	90	
94	1	SFF_8472 Compliance	01	
95	1	CC_EXT	checksum	Checksum for Extended ID
<b>VENDOR SPECIFIC ID FIELDS</b>				
96-127	32	Vendor Specific	20 20 20.....	Depends on Customer Info
128-255	128	Reserved	FF FF FF.....	Depends on Customer Info

### 8.1 DDM THRESHOLD

	Low Alarm	Low Warn	High Warn	High Alarm
Temperature	-13°C	-8°C	88°C	93°C
Voltage	2.8V	3.1V	3.5V	3.8V
Tx Bias	-15mA	-20mA	40mA	45mA
Tx Power	-2dBm	-1dBm	6dBm	7dBm
Rx Power	-24dBm	-23dBm	1dBm	2dBm

### 9.Recommend Circuit



### Ordering Information

Part Number	Description
SFP-1G-80KM	Transceiver Module Handar 1.25G 1550nm 80km Dual LC