

## SFP-10G-120KM

### Features

- Duplex LC Connector
- Support hot-pluggable
- Metal with lower EMI
- Excellent ESD protection
- 1550nm EML Transmitter and PIN Receiver
- Typical Center Wavelength: 1550nm
- Max link length up to 120km on SMF
- RoHS Compliant and Lead-Free
- Digital diagnostic compatible with SFF-8472
- Case Operation Temperature: -5°C~+70°C
- Single 3.3V power supply and Low power dissipation

### Description

• SFP-10G-120KM SFP+ ER transceiver is specifically designed for the high performance integrated duplex data transmission over single mode optical fiber. This transceiver module is compliant with Enhanced Small Form Factor Pluggable Module SFP+ Multisource Agreement (SFF-8431). This transceiver type is specifically optimized for transport of serial data at 10.3125Gbps.

### Applications

- 10GBASE-ER/EW 10G Ethernet
- Other optical link

### Absolute Maximum Ratings

Parameter	Symbol	Min.	Typ.	Max.	Unit	Notes
Maximum Supply Voltage	Vcc3	-0.5	-	4.0	V	
Storage Temperature	TS	-40	-	85	°C	
Operating Humidity	-	5	-	95	%	
Maximum Supply Voltage	Vcc3	-0.5	-	4.0	V	

### Recommended Operating Conditions

Parameter	Symbol	Min.	Typ.	Max.	Unit	Notes
Power Supply Voltage	Vcc	3.13	3.30	3.47	V	
Power Supply Current	Icc	-	-	450	mA	
Case Operating Temperature	Top	-5	-	70	°C	
Data Rate		-	10.3125	-	Gbps	LR
		-	9.953	-		LW
9/125um G.652 SMF	Lmax	-	-	120	Km	
Baud Rate Tolerance		-100		+100	ppm	

**Performance Specifications - Transmitter**

(-5°C<Tc<+70°C; +2.97V<Vcc<+3.63V)

Parameter		Symbol	Min.	Typ.	Max.	Unit	Notes
Input Differential Impedance		Zin	90	100	110	Ω	
Tx_Fault	Normal Operation	VOL	-0.3	-	0.4	V	
	Transmitter Fault	VOH	2.4	-	Vcc	V	
TX_Disable (Note 1)	Disable	VIH	2.0	-	Vcc+0.3	V	
	Enable	VIL	-0.3	-	0.8	V	
Average Launch Optical Power		Pout	-4.7	-	4.0	dBm	
Extinction Ratio		ER	3.0	-	-	dB	
Average Launch power of OFF TX		Poff	-	-	-30	dBm	
Optical Wavelength		λ	1530	1550	1565	nm	
Spectral Width(-20dB)		Δλ	-	-	1.0	nm	
Side Mode Suppression Ratio		SMSR	30	-	-	dB	
Optical Modulation Amplitude		OMA	-1.7	-	-	dBm	
RIN12OMA		RIN	-	-	-128	dB/Hz	
Launch Power in OMA minus TDP		OMA-TDP	-2.1	-	-	dBm	
Transmitter and Dispersion Penalty		TDP	-	-	3.0	dB	1
Optical Return Loss Tolerance		-	-	-	21	dB	
Eye Diagram		IEEE 802.3-2005					

**Performance Specifications - Receiver**

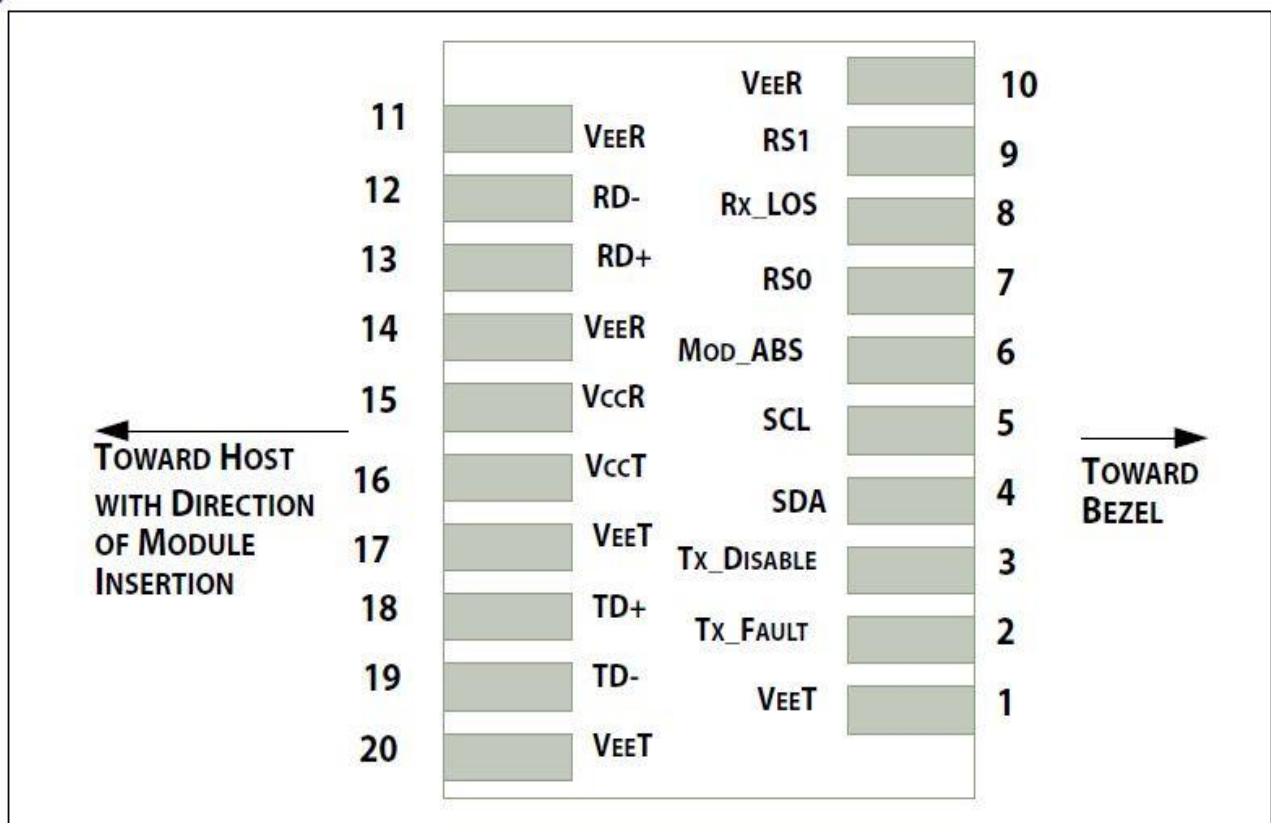
(-5°C<Tc<+70°C; +2.97V<Vcc<+3.6V)

Parameter	Symbol	Min.	Typ.	Max.	Unit	Notes
Differential Data Output Swing	Vout	370	-	2000	mV	
Output Differential Impedance	Zin	90	100	110	Ω	
Receiver Sensitivity	PIN	-	-	-15.8	dBm	1
Overload		-1	-	-	dBm	1
Receiver Reflectance	-	-	-	-26	dB	
Optical Center Wavelength	λC	1530	1550	1565	nm	

Los Assert		-30	-	-	dBm	
Los De-assert		-	-	-18	dBm	
Los hysteresis		0.5	-	-	dB	
Rx_LOS	High	2.0		V <sub>cc</sub> +0.3	V	
	Low	0		0.8	V	

Note1. BER ≤10<sup>-12</sup> @PRBS231-1 at the eye center.

### SFP+ Transceiver Electrical Pad Layout



### Pin Function Definitions

Pin Num	Name	Function	Plug Seq.	Notes
1	VeeT	Module Transmitter Ground	1	
2	Tx_FAULT	Module Transmitter Fault	3	Note 1
3	Tx_DISABLE	Transmitter Disable; Turns off transmitter laser output	3	Note 2, Module disables on high or open
4	SDA	2-wire Serial Interface Data Line (Same as MOD-DEF2 in INF-8074i)	3	
5	SCL	2-wire Serial Interface Clock (Same as MOD-DEF1 in	3	

		INF-8074i)		
6	MOD-ABS	Module Absent, connected to VeeT or VeeR in the module	3	
7	RS0	Rate Select 0, optionally controls SFP+ module receiver.	3	Note 3
8	Rx_LOS	Receiver Loss of Signal Indication (In FC designated as Rx_LOS, in SONET designated as LOS and in Ethernet designated as Signal Detect)	3	Note 4
9	RS1	Rate Select 1, optionally controls SFP+ module transmitter	1	Note 3
10	VeeR	Module Receiver Ground	1	Note 5
11	VeeR	Module Receiver Ground	1	Note 5
12	RD-	Receiver Inverted Data Output	3	Note 6
13	RD+	Receiver Non-Inverted Data Output	3	Note 6
14	VeeR	Module Receiver Ground	1	Note 5
15	VccR	Module Receiver 3.3 V Supply	2	3.3 ± 10%, Note 7
16	VccT	Module Transmitter 3.3 V Supply	2	3.3 ± 10%, Note 7
17	VeeT	Module Transmitter Ground	1	Note 5
18	TD+	Transmitter Non-Inverted Data Input	3	Note 8
19	TD-	Transmitter Inverted Data Input	3	Note 8
20	VeeT	Module Transmitter Ground	1	Note 5

**Notes:**

- 1) Tx\_Fault is an open collector/drain output, which should be pulled up with a 4.7K – 10KΩ resistor on the host board. Pull up voltage between 2.0V and VccT, R+0.3V. When high, output indicates a laser fault of some kind. Low indicates normal operation. In the low state, the output will be pulled to < 0.8V.
- 2) Tx\_disable is an input that is used to shut down the transmitter optical output. It is pulled up within the module with a resistor in the range 4.7 kΩ to 10 kΩ. Its states are:  
 Low (0 – 0.8V): Transmitter on  
 (>0.8, < 2.0V): Undefined  
 High (2.0 – 3.465V): Transmitter Disabled  
 Open: Transmitter Disabled
- 3) RS0 and RS1 are module inputs and are pulled low to VeeT with > 30 kΩ resistors in the module. RS0 optionally selects the optical receive signaling rate coverage. RS1 optionally selects the optical transmit signaling rate coverage.  
  
 These contacts can also be used for AS0 and AS1 if implementing SFF8079. See SFF8079 for details. RS1 is commonly connected to VeeT or VeeR in the classic SFP modules. The host needs to ensure that it will not be damaged if this contact is connected to VeeT or VeeR in the module.  
  
 The SFP+ module provides two inputs RS0 and RS1 that can optionally be used for rate selection. RS0 controls the

receive path signalling rate capability, and RS1 controls the transmit path signalling rate capability. The host and module may choose to use either, both, or none of these functions. Because contact 9 in the classic SFP INF-8074i is connected to VeeR, an SFP+ host utilizing RS1 must provide short circuit protection.

This rate select functionality can also be controlled by software as defined by SFF-8472. Optionally the rate select methods of Part 2 of SFF-8079 may be used instead of the method described here by setting the management declaration bit (A0h byte 93 bit 2) to 1, see SFF-8472.

<i>Parameter</i>	<i>State</i>	<i>Conditions</i>
RS0	Low	RX signalling rate less than or equal to 4.25 GBd
	High	RX signalling rate greater than 4.25 GBd
RS1	Low	TX signalling rate less than or equal to 4.25 GBd
	High	TX signalling rate greater than 4.25 GBd

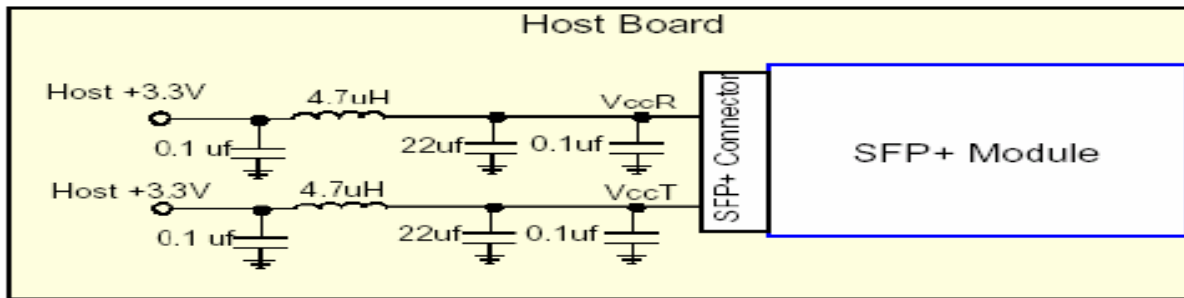
- 4) Rx\_LOS when high indicates an optical signal level below that specified in the relevant standard. Rx\_LOS is an open drain/collector output, but may also be used as an input by supervisory circuitry in the module. For a nominally 3.3 V Vcc\_Host using a resistive pull up to Vcc\_Host the resistor value shall be in the range 4.7 kΩ to 10 kΩ. For a nominally 2.5 V Vcc\_Host using a resistive pull up to Vcc\_Host the resistor value shall be in the range 4.7 kΩ to 7.2 kΩ.

The Rx\_LOS signal is intended as a preliminary indication to the host in which the module is installed that the received signal strength is below the specified range. Such an indication typically points to non-installed cables, broken ca-bles, or a disabled, failing or a powered off transmitter at the far end of the cable. Additional indications are provided by the host in which the module is installed to verify that the information being transmitted is valid, correctly en-coded, and in the correct format. Such additional indications are outside the scope of the module specification.

Rx\_LOS may be an optional function depending on the supported standard. If the Rx\_LOS function is not implemented, or is reported via the two-wire inter-face only, the Rx\_LOS contact shall be held low by the module and may be con-nected to Vee within the module.

Rx\_LOS assert min and de-assert max are defined in the relevant standard. To avoid spurious transition of Rx\_LOS a minimum hysteresis of 0.5 dBo is recom-mended.

- 5) VeeR and VeeT : The module signal ground contacts, which should be isolated from the module case and which may be internally connected within the SFP module.
- 6) RD-/+: These are the differential receiver outputs. They are AC coupled 100Ω differential lines which should be terminated with 100Ω (differential) at the user SERDES. The AC coupling is done inside the module and is thus not required on the host board.
- 7) VccR and VccT are the receiver and transmitter power supplies. They are defined as 3.3V ±10% at the SFP+ connector pin. Maximum supply current is 300mA. Recommended host board power supply filtering is shown below.



- 8) TD-/+: These are the differential transmitter inputs. They are AC-coupled, differential lines with 100Ω differential termination inside the module. The AC coupling is done inside the module and is thus not required on the host board.

### Regulatory Compliance

Compliant with SFP+ MSA: SFF-8431 Rev4.1

Compliant with SFF-8472 Rev9.5

Compliant with IEEE802.3-2008

ESD to the Electrical PINs: compatible with MIL-STD-883E Method 3015.7

ESD to the Duplex LC Receptacle: compatible with IEC 61000-4-2 GR-1089-CORE

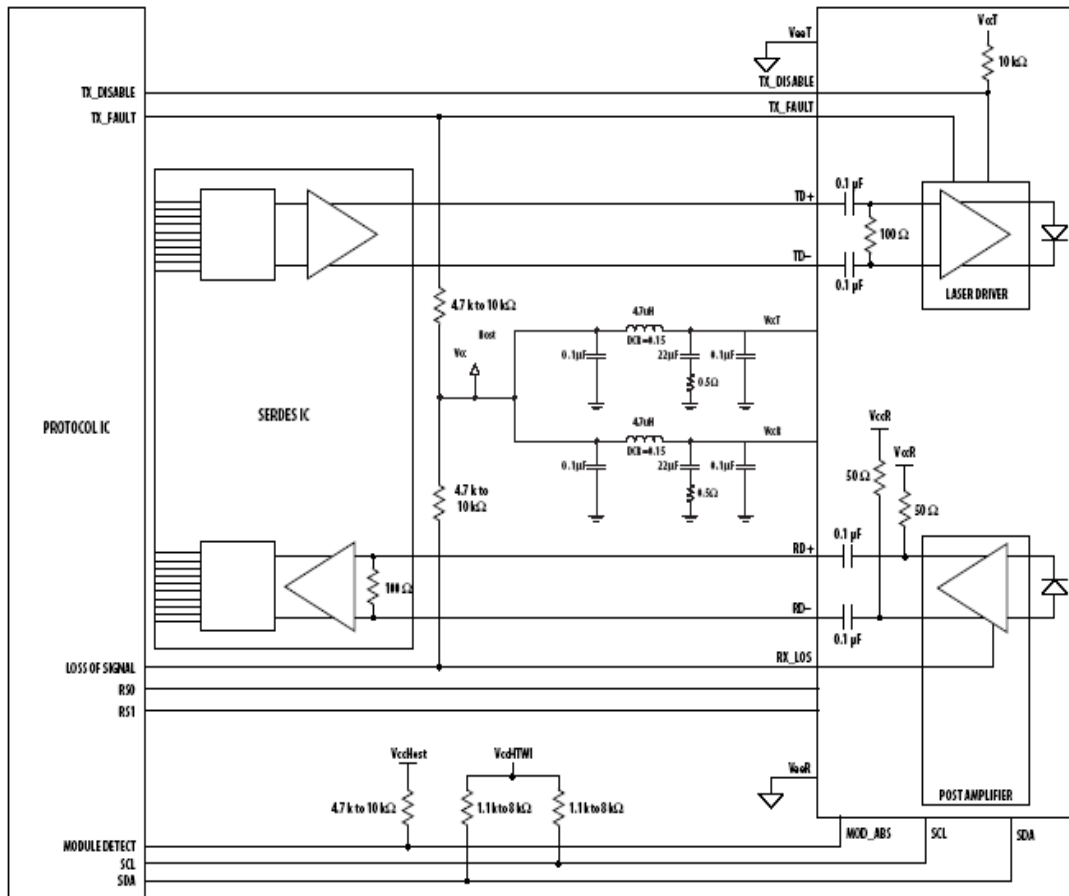
Immunity compatible with IEC 61000-4-3

EMI compatible with FCC Part 15 Class B EN55022 Class B (CISPR 22B) VCCI Class B

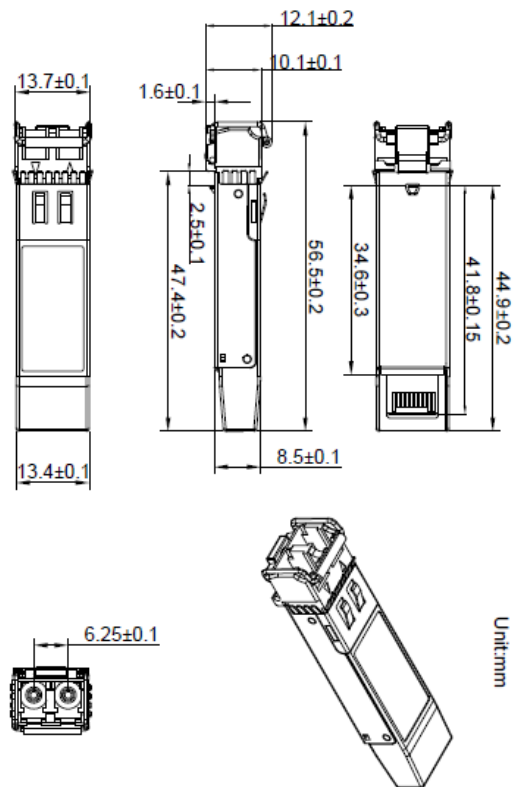
Laser Eye Safety compatible with FDA 21CFR 1040.10 and 1040.11 EN60950, EN (IEC) 60825-1,2

RoHS compliant with 2002/95/EC 4.1&4.2 2005/747/EC

### Recommend Circuit Schematic



Mechanical Diagram



### Monitor Specification

The digital diagnostic monitoring interface also defines another 256-byte memory map in EEPROM, which makes use of the 8 bit address 1010001X (A2h). The monitoring specification of this product is described in this table.

Parameter	Range	Accuracy	Calibration
Temperature	-5 to +85°C	±3°C	Internal
Supply Voltage	2.97 to 3.63V	±3%	Internal
Bias Current	3mA to 80mA	±10%	Internal
TX Power	-4.7~+4.0dBm	±3dB	Internal
RX Power	-16~-1dBm	±3dB	Internal