

V-IS10G-8P-S

MAIN FEATURES



8 Port 10/100/1000 POE+, 1 Port Gigabit Fiber (SFP) Uplink, Din rail, Support IEEE802.3af/at, Dual Power DC48-57V, Each port support Max 30W, -40°C to +75°C

Input Voltage: DC48~57V (PoE)

Operating Temperature: -40°C~+75°C

Shell: IP40 protection, Fanless design

Anti-static: 8KV-15KV

PRODUCT DESCRIPTION

This device is 1* 1000Base-X & 8*10/100/1000Base-T Industrial Ethernet PoE Switches. Through the fanless heat dissipation circuit design, wide range of working environment temperature, high protection level and other technologies, it provides excellent industrial quality with high/low temperature resistance and lightning protection, and enhances the reliability and safety of industrial networks. It can better meet the deployment requirements of rail transit, safe city, intelligent transportation, outdoor monitoring and other harsh environments.

Also known as Industrial Ethernet Switch, which is an Ethernet switch device used in industrial control. Due to the adopted network standard, it is open, widely used, and inexpensive. It uses a transparent and unified TCP/IP protocol. The network has become the main communication standard in the field of industrial control.

Scodena

Industrial switches feature carrier-grade performance to withstand harsh environments. With a wide range of products and flexible port configurations, it can meet the needs of various industrial fields. The product features a wide temperature design with a protection rating of no less than IP30 and supports standard and proprietary ring redundancy protocols

KEY FEATURES



Industrial protection



Wide range of operating temperature



Surge protection for power



Surge protection for Ethernet port



Dual Power Supply



IEEE 802.3af/802.3at

DIP SWITCH



1 C/D	Remote PD Reset
2 LGY	Standard/Non-standard PoE Mode
3 VLAN	Port Isolation
4 RST	Reset

PRODUCT PARAMETERS

Description	Specifications
Provider Mode Ports	
Fixed port	1*1000 Base-X, 8*10/100/1000Base-T
Power interface	Phoenix terminal, redundant dual power supply
LED Indicators	PWR, OPT, NMC, ALM
DIP Switch	
1 C/D	Remote PD Reset
2 LGY	LEGACY (Standard & Non-standard PoE)
3 VLAN	Port Isolation
4 RST	Reset
Cable type & Transmission distance	
Twisted-pair	0-100m (CAT5e, CAT6)
Monomode optical fiber	20/40/60/80/100KM
Electrical Specifications	
Input voltage	DC48~57V (PoE)
Total Power consumption	Total power<246W
Network Topology	
Ring topology	Unsupport
Star topology	Support
Bus topology	Support
Tree Topology	Support
Hybrid topology	Support
Layer 2 Switching	
Switching capacity	26G
Packet forwarding rate	19.34Mpps
Mac address table	16K
Buffer	2M
Forwarding delay	<5us
MDX/MIDX	Support
Flow control	Support
Jumbo Frame	10K Bytes
WatchDog	Support
Port Isolation	Support
PoE	
PoE port	1-8
PoE Protocol	802.3af, 802.3at
Pin Assignment	1,2,3,6

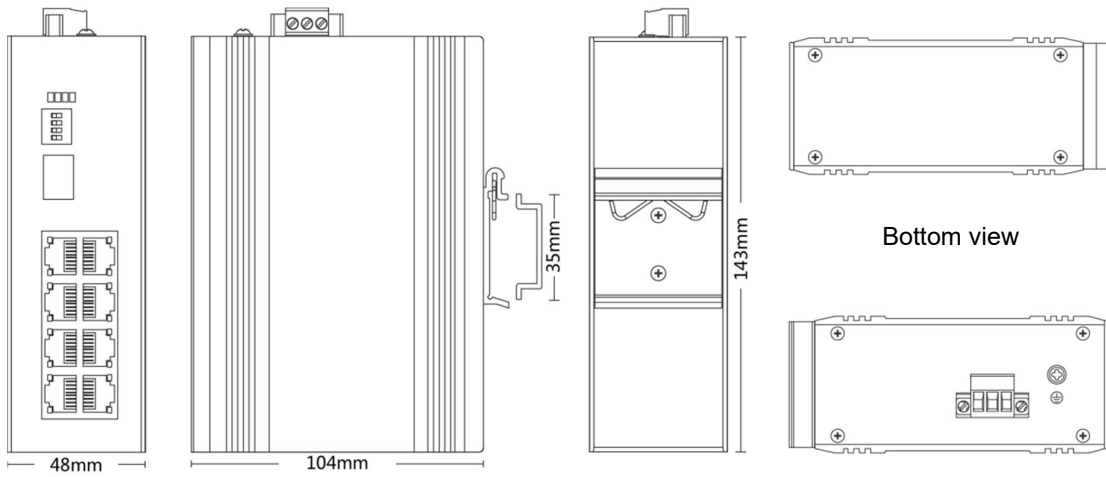
PoE Mode	Standard & non-standard are supported
Remote PD Reset	Supported
Environment	
Operating temperature	-40°C~+75°C The device is tested for 4 hours at temperatures in 85°C
Storage temperature	-40°C~+85°C
Relative humidity	5%~95% non-condensing
Thermal methods	Fanless design, natural cooling
MTBF	100,000 hours
EMC & INGRESS PROTECTION	
IP Level	IP40
Surge protection of Power	IEC 61000-4-5 Level X (6KV/6KV) (8/20us)
Surge protection of Ethernet port	IEC 61000-4-5 Level X (4KV/4KV) (10/700us)
RS	IEC 61000-4-3 Level 3 (10V/m)
EFI	IEC 61000-4-4 Level 3 (1V/2V)
CS	IEC 61000-4-6 Level 3 (10V/m)
PFMF	IEC 61000-4-8 Level 4 (30A/m)
DIP	IEC 61000-4-11 Level 3 (10V)
ESD	IEC 61000-4-2 Level 4 (8K/15K)
Free fall	0.5m
Mechanical Dimensions	
Product size	143X104X48mm
Installation Method	DIN rail
Weight	0.5KG
Authentication	
<i>Authentication</i>	<i>CCC/CE/FCC/RoHS</i>
Accessories	
Accessories	Device, Terminals, Specification, Certificate, power adapter(optional)

ORDERING INFORMATION

Switch	
Product number	Product description
V-IS10G-8P-S	8 Port 10/100/1000 POE+, 1 Port Gigabit Fiber (SFP) Uplink, Din rail, Support IEEE802.3af/at, Dual Power DC48-57V, Each port support Max 30W, -40°C to +75°C
Package Contents	
<ul style="list-style-type: none"> 1x Device 	

- 1x Phoenix Terminal
- 1x Qualified Certificate
- 1x Instruction & Warranty Card

SIZE AND APPEARANCE



Front view

Side view

Back view

Top view