




# Maipu WNC6600 Series Access Controller Datasheet



## Overview

WNC6600 series developed by Maipu is a new-generation wireless access controller that centrally manages Fit APs and wireless clients while offering a wide range of service options. By adopting a unified wired and wireless design approach, WNC6600 boasts high performance, seamless integration, extensive service capabilities, outstanding reliability, and robust security. This design caters to the comprehensive integration needs of wired and wireless networks for diverse industry clients. WNC6600's unified management feature simplifies WLAN management, operation, and maintenance, accommodating the deployment requirements of various services.

WNC6600's advanced software capabilities provide load balancing, automatic fault recovery, intelligent RF management, and L2&L3 roaming for users. Network administrators can utilize the web interface for configuration. The configuration process takes just three minutes to complete.

As a unified wireless smart management platform, WNC6600 access controller collaborates with Maipu's data communication products to deliver comprehensive network solutions tailored to various industry users. This makes it suitable for a wide range of wireless access scenarios.

Modem Name	Specification
 <p><b>WNC6600-2000-AC</b></p>	<ul style="list-style-type: none"> <li>● 12*100/1000M Base-T</li> <li>● 12*1G Combo (SFP+RJ45)</li> <li>● 2*10G SFP+</li> <li>● Dual Modular AC Power</li> <li>● RJ45 Console/USB2.0 Port/Micro-USB/SD Card Port</li> </ul>
 <p><b>WNC6600-1000-AC</b></p>	<ul style="list-style-type: none"> <li>● 12*100/1000M Base-T</li> <li>● 12*1G Combo (SFP+RJ45)</li> <li>● 2*10G SFP+</li> <li>● Dual Modular AC Power</li> <li>● RJ45 Console/USB2.0 Port/Micro-USB/SD Card Port</li> </ul>
 <p><b>WNC6600-500-AC</b></p>	<ul style="list-style-type: none"> <li>● 12*100/1000M Base-T</li> <li>● 12*1G Combo (SFP+RJ45)</li> <li>● 2*10G SFP+</li> <li>● Dual Modular AC Power</li> <li>● RJ45 Console/USB2.0 Port/Micro-USB/SD Card Port</li> </ul>

 <p><b>WNC6600-200-AC</b></p>	<ul style="list-style-type: none"> <li>● 8*100/1000M Base-T (8*PoE Out)</li> <li>● 2*1G SFP</li> <li>● Fixed Single AC Power.</li> <li>● RJ45 Console/USB2.0 Port</li> </ul>
 <p><b>WNC6600-100-AC</b></p>	<ul style="list-style-type: none"> <li>● 24*10/100M Base-T (8*PoE Out)</li> <li>● 2*1G Combo (SFP+RJ45)</li> <li>● Fixed Single AC Power.</li> <li>● RJ45 Console/USB2.0 Port</li> </ul>

## Key Features

### ● Unified Wired & Wireless Design for Dual-Network Convergence

WNC6600 wireless controller features a unified wired and wireless design. Equipped with high-capacity switch interfaces, it accommodates the access management of numerous wireless APs and terminals, while also supporting substantial data forwarding in wired networks. WNC6600 possesses robust Layer 2 and Layer 3 wired device functionality.

### ● Standalone BYOD Functionality with Terminal System Identification

WNC6600 wireless controller independently achieves BYOD functionality without the need for collaboration with other devices. It can identify different terminal types based on DHCP-Feature. The WNC6600 enables the implementation of distinct security policies tailored to each terminal type.

### ● Intelligent AP Management with Zero-Configuration Plug-and-Play

In Fit AP mode, zero-configuration Fit APs automatically discover and connect to the wireless controller via Layer 2 or Layer 3 network. WNC6600 wireless controller handles configuration, management, and maintenance of Fit APs. WNC6600 enables efficient management and monitoring of Fit APs across L2&L3 network.

### ● Smooth Network Upgrades to Protect Investment

WNC6600 supports various complex network environments and enables seamless, secure wireless network deployment without disrupting existing wired networks. It also serves as the aggregation device for smaller wired networks, ensuring smooth network upgrades and maximizing return on investment.

### ● Intelligent Configuration Management for Streamlined Maintenance

WNC6600's advanced smart management capabilities include automatic software upgrades, configuration delivery, and SNMP management for monitored APs, significantly reducing deployment costs and network maintenance complexity.

### ● Comprehensive Security Management for Secure Communication

WNC6600 provides various authentication modes, access control, and inbuilt WIDS to detect and suppress potential threats. It also offers strict user access control policies, including PSK authentication, 802.1x authentication, portal authentication, wireless bandwidth control, and access control list.

### ● Integrated PoE Power Supply

WNC6600-100-AC and WNC6600-200-AC two models offer eight integrated PoE interfaces, eliminating the need for separate PoE switch for small network. This design simplifies network management and maintenance.

# Technical Specifications

Model	WNC6600-100-AC	WNC6600-200-AC	WNC6600-500-AC	WNC6600-1000-AC	WNC6600-2000-AC
Hardware Interface	24*10/100M Base-T interfaces, 2*GE Combo interfaces (SFP+RJ45); 1*RJ45 Console and 1*RJ45 DC0 interfaces	8*100/1000M Base-T interfaces, 2*GE SFP interfaces; 1*RJ45 Console and 1*RJ45 DC0 interfaces	12*100/1000M Base-T interfaces, 12*GE Combo interfaces (SFP+RJ45); 2*10GE SFP+ interfaces; 1*RJ45 Console, 1* USB Console and 1*RJ45 DC0 interfaces	12*100/1000M Base-T interfaces, 12*GE Combo interfaces (SFP+RJ45); 2*10GE SFP+ interfaces; 1*RJ45 Console, 1* USB Console and 1*RJ45 DC0 interfaces	12*100/1000M Base-T interfaces, 12*GE Combo interfaces (SFP+RJ45); 2*10GE SFP+ interfaces; 1*RJ45 Console, 1* USB Console and 1*RJ45 DC0 interfaces
Default Managed APs	32	64	64	128	128
Maximum Managed APs	128	256	512	1024	2048
POE ports	8	8	N/A	N/A	N/A
<b>Physical index</b>					
Power	AC:100~240V 50/60Hz	AC:100~240V 50/60Hz	AC:100-240V 50/60Hz DC:-40~-57V	AC:100-240V 50/60Hz DC:-40~-57V	AC:100-240V 50/60Hz DC:-40~-57V
Power Redundant	No	No	Yes	Yes	Yes
Power Hot Swap	No	No	Yes	Yes	Yes
Power Consumption	≥60W	≥30W	≥94W	≥94W	≥120W
PoE Power Consumption	140W	125W	N/A	N/A	N/A
Dimension (W*D*H mm)	442*380*44.3	442*320*44.3	442*420*44.3	442*420*44.3	442*420*44.3
Power Lightning Protection Index	Common-mode, differential-mode 6KV				
<b>Environment Parameters</b>					
Work Humidity (No-condensing)	5-85% (No-condensing)				
Work Temperature	0-45°C				
<b>Software specification</b>					
L2 Protocol	LACP Link Aggregation, Port Isolation, VLAN, STP/RSTP/MSTP, Error-Disable				
L3 Protocol	Static Route v4/v6, RIP/RIPng, OSPF, OSPFv3, Routing Policy, DHCP Client, DHCP Server, DHCP Relay				
Network Security	Port Security, IP Source Guard, DHCP Snooping, DHCP Option82, DAI(Dynamic ARP Inspection), ACL(Standard IP ACL, Extended IP ACL, Standard MAC ACL,				

	Extended MAC ACL, Standard Protocol ACL, Extended Hybrid ACL, Time-based ACL), AAA(Authentication, Authorization, Accounting, Radius, TACACS), 802.1X
Network Management	SNMP v1/v2/v3, MIB, RMON, SYSLOG, WEB(HTTP/HTTPS), CLI(Telnet, SSH), Ping, Tracert, FTP/TFTP, Debug, Keep Alive Gateway, NTP, SPAN, RSPAN, ERSPAN
Network Reliability	VRRP, VRRPv3, Track, BFD
Wireless Authentication	Open, WPA-PSK, WPA-802.1X, WPA2-PSK, WPA2-802.1X, WPA3-PSK, WPA3-802.1X, Portal, MAC Authentication for Dumb Terminal
Wireless Security	WIDS, User Isolation, SSID Hidden, SAVI, Anti-Rogue, Service Status Control, Web Access Control, ARP Suppression Protection
Wireless RF Management	RRM, Set Working Channel Manually, Set Transmit Power Manually, DCA(Dynamic Channel Adjustment), TPC(Transmit Power Control)
Wireless Roaming	L2 Roaming & L3 Roaming
Wireless Control	WLAN ACL, BYOD, Timing Policy(AP Rebooting, Radio Rebooting), STA Number Control, Load Balancing between RF/AP, 5G Priority, RSSI Threshold, Weak Signal Offline, STA Blacklist, STA Whitelist
Wireless QoS	WMM(Wi-Fi Multimedia, sub-set of 802.11e), WMF(Wireless Multicast Forwarding)
Wireless Reliability	1+1 Backup, 1:1 Backup, HAP(Hybrid Access Point, AP Escape), Uplink Detection, Configuration Synchronization
Advanced Wireless Features	RF Detection, Packet Capture on Airports, AP Plug-in Management
802.11 Protocol	Support IEEE 802.11a/b/g/n/ac/ax

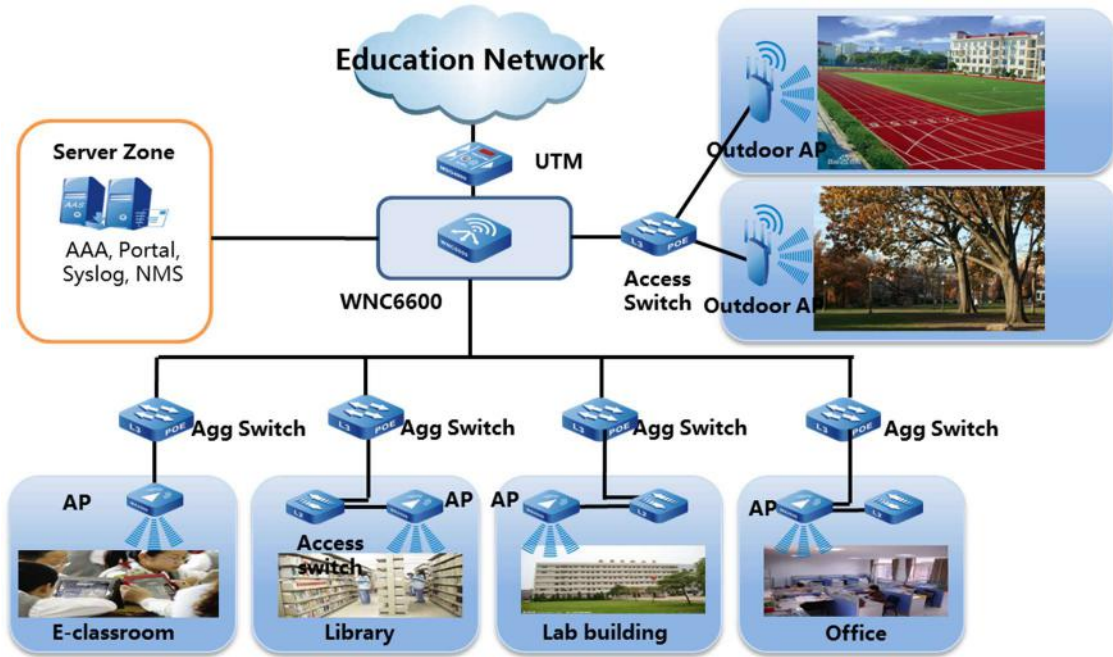
## Order Information

Model	Description
<b>WA2600 Series Wi-Fi6 Access Point</b>	
WNC6600-100-AC	WNC6600-100-AC access controller, support 32 APs by default, max 128 APs. 1*Console port, 2*GE Combo ports and 24*FE RJ45 ports (8 support PoE output). One AC power supply.
WNC6600-200-AC	WNC6600-200-AC access controller, support 64 APs by default, max 256 APs. 1*Console port, 8*GE RJ45 ports (8 support PoE output) and 2*GE SFP ports. One AC power supply.
WNC6600-500-AC	WNC6600-500-AC access controller, support 64 APs by default, max 512 APs. 1*Console port, 12*GE RJ45 ports, 12*GE Combo ports and 2*10GE SFP+ ports. Dual power supply slots. Support hot swap power supply.
WNC6600-1000-AC	WNC6600-1000-AC access controller, support 128 APs by default, max 1024 APs. 1*Console port, 12*GE RJ45 ports, 12*GE Combo ports and 2*10GE SFP+ ports. Dual power supply slots. Support hot swap power supply.
WNC6600-2000-AC	WNC6600-2000-AC access controller, support 128 APs by default, max 2048 APs. 1*Console port, 12*GE RJ45 ports, 12*GE Combo ports and 2*10GE SFP+ ports. Dual power supply slots. Support hot swap power supply.
AD250-1S005E	250W power module, AC input 100~240V, Hotswap supported.
DD500-5D005E	500W power module, DC input -40~-57V, Hotswap supported.

WNC6000-L-32	WNC6600-L-32 for 32 APs licenses
WNC6000-L-64	WNC6600-L-64 for 64 APs licenses
WNC6000-L-128	WNC6600-L-128 for 128 APs licenses

# Application Scenario

## Campus Wireless Coverage



All rights reserved. Printed in the People's Republic of China.

No part of this document may be reproduced, transmitted, transcribed, stored in a retrieval system, or translated into any language or computer language, in any form or by any means, electronic, mechanical, magnetic, optical, chemical, manual or otherwise without the prior written consent of Maipu Communication Technology Co., Ltd.

Maipu makes no representations or warranties with respect to this document contents and specifically disclaims any implied warranties of merchantability or fitness for any specific purpose. Further, Maipu reserves the right to revise this document and to make changes from time to time in its content without being obligated to notify any person of such revisions or changes.

All other products or services mentioned herein may be registered trademarks, trademarks, or service marks of their respective manufacturers, companies, or organizations.